

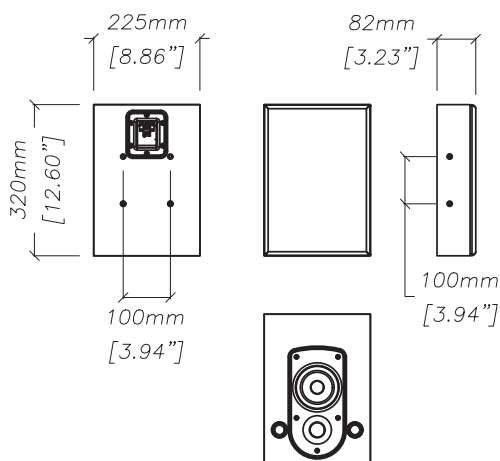
S4

WALL SURROUND

S4 is a sub-compact surround system perfect for small home cinemas and large living rooms alike. With its 4" woofer and HF dome tweeter, S4 is slim enough to blend perfectly in your room interior.

The speaker can be conveniently installed on the wall or inside the wall niche using several provided mounting points.

Magnet-held Frontal grill is held by magnets and can be removed to decrease depth even further for in-wall installation scenario.



CONNECTIONS

Use a Hi-pass filter to prevent speaker damage and distorted sound by eliminating low non-audible frequencies in the input signal.

Do not exceed the input powers, abovementioned in the specifications, while exploiting the speaker system.

The speaker system comes with phoenix terminals for connection to the amplifier.

SAFETY INSTRUCTIONS

1. Do not pour liquids on the speaker system - this may cause driver cone destruction and an unappealing speaker appearance. Do not allow direct sunlight on the speaker cone - this will reduce its resource dramatically. For fire safety do not install the speaker system near open flames or heating elements.
2. Do not use the speaker system with the damaged connector or speaker cable - this is an electric shock hazard and fire hazard.
3. Make sure the speaker system is firmly set up on the ceiling, stage, or wall (where applicable).
4. While setting the speaker system up on a slope or slippery surface, make necessary arrangements to avoid its movement due to its vibration.
5. This loudspeaker system is capable of delivering a significant sound pressure level. To avoid permanent or temporary hearing damage or loss, prolonged exposure to sound pressure levels exceeding values over 90 dB should be limited.

SPECIFICATIONS

| | |
|---|--|
| Frequency response (± 3 dB) | 100 – 20000 Hz |
| Frequency range (-10 dB) | 80 – 21000 Hz |
| Max continuous SPL ² | 105 dB |
| Sensitivity (1W/1m half-space) ¹ | 88 dB |
| High-frequency driver | 1" carbon fiber diaphragm, 1" voice coil neodymium magnetic system |
| Low/Mid frequency woofer | 4" long-excursion rubber surround, 1" voice coil |
| Nominal impedance | 16 Ohm versions available |
| Power rating | 150 W |
| Mounting | VESA 75x75, 4x M5 side points for specially designed mounting Removable grill |
| Connectors | Phoenix terminal |
| Dimension (W x H x D) | 280 x 400 x 116 mm |
| Net weight | 6 kg |
| ¹ - dB SPL, IEC 60268-5 pink noise, 1W / 1m, half- and free-space ² - dB SPL RMS, IEC 60268-5 pink noise, measured on nominal power ³ - 2 hour power test, IEC filtered noise, 6 dB crest factor | |