

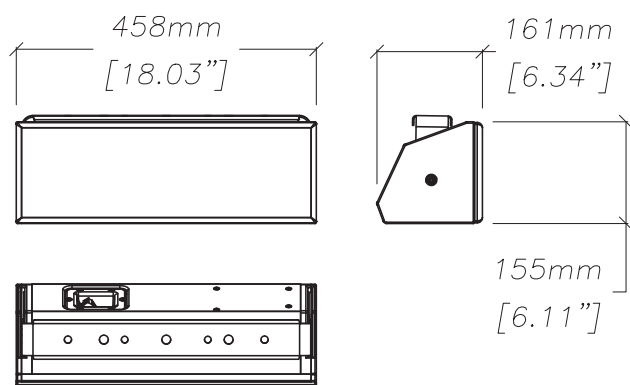
# CS-44

## CEILING LOW PROFILE SURROUND

CS-44 is the subcompact surround system designed for the smallest visual footprint inside your home cinema. Based on dual 4" woofers CS-44 provides impact and performance rivaling much larger surround systems.

The HF horn with Coverage Control technology distributes the sound evenly across the listening area compensating for the tilted elevated speaker position.

Included mounting bracket provides flexibility in tilt angle for different installation scenarios.



### CONNECTIONS

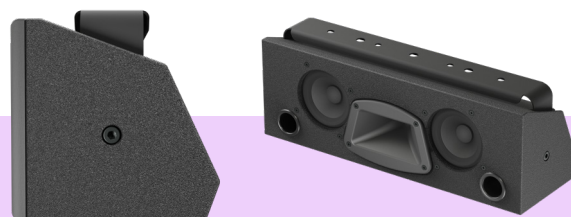
Use a Hi-pass filter to prevent speaker damage and distorted sound by eliminating low non-audible frequencies in the input signal.

Do not exceed the input powers, abovementioned in the specifications, while exploiting the speaker system.

The speaker system comes with phoenix terminals for connection to the amplifier.

### SAFETY INSTRUCTIONS

1. Do not pour liquids on the speaker system - this may cause driver cone destruction and an unappealing speaker appearance. Do not allow direct sunlight on the speaker cone - this will reduce its resource dramatically. For fire safety do not install the speaker system near open flames or heating elements.
2. Do not use the speaker system with the damaged connector or speaker cable - this is an electric shock hazard and fire hazard.
3. Make sure the speaker system is firmly set up on the ceiling, stage, or wall (where applicable).
4. While setting the speaker system up on a slope or slippery surface, make necessary arrangements to avoid its movement due to its vibration.
5. This loudspeaker system is capable of delivering a significant sound pressure level. To avoid permanent or temporary hearing damage or loss, prolonged exposure to sound pressure levels exceeding values over 90 dB should be limited.



### SPECIFICATIONS

Frequency response (±3 dB)	95 - 20000 Hz
Frequency range (-10 dB)	75 - 22000 Hz
Max continuous SPL <sup>2</sup>	110 dB
Sensitivity (1W/1m half-space) <sup>1</sup>	90 dB
High-frequency driver	0,75-inch (1,5-inch voice coil) titanium dome
Low/Mid frequency woofer	two 4-inch (1,75-inch voice coil)
Coverage	60°-90° H / +5 -35° V coverage control HF horn vertical axis tilted 15° down
Nominal impedance	8 Ohm
Power rating <sup>3</sup>	100 W
Mounting	Mounting bracket
Connectors	Phoenix terminals
Dimension (W x H x D)	458 x 155 x 161 mm
Net weight	6 kg

<sup>1</sup>- dBSPL, IEC 60268-5 pink noise, 1W / 1m, half- and free- space

<sup>2</sup>- dBSPL RMS, IEC 60268-5 pink noise, measured on nominal power

<sup>3</sup>- 2 hour power test, IEC filtered noise, 6 dB crest factor